

Beam Power Tube

CERMOLOX		Ruggedized
Oxide-Coated Cathode	80 Watts CW Power Output	
Forced-Air Cooled	at 400 MHz	
Linear RF Power	40 Watts CW Power Output	
Amplifier	at 1215 MHz	

ELECTRICAL

Heater for Matrix-Type, Oxide-Coated,
Unipotential Cathode:

Voltage (ac or dc)	26.5 ± 10%	V
Current at 26.5 volts	0.54	A
Minimum heating time	60	s
Mu-Factor, Grid No.2 to Grid No.1	18	

MAXIMUM CCS RATINGS, Absolute - Maximum Values

	<i>Up to 1215 MHz</i>	
DC Plate Voltage	1000	V
DC Grid-No.2 Voltage	300	V
DC Grid-No.1 Voltage	-100	V
DC Plate Current	200	mA
Plate Dissipation	150	W

MECHANICAL

Operating Position	Any
Weight (Approx.)	(0.06 kg) 2 oz

THERMAL^a

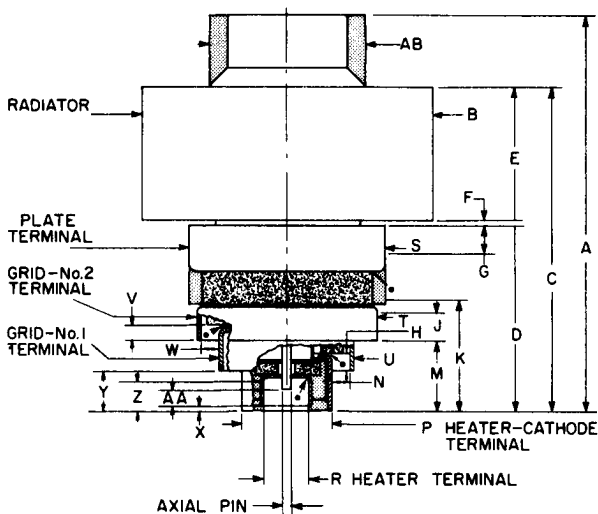
Terminal Temperature (Plate, grid No.2, grid No.1, cathode, and heater)	250 max. °C
Plate-Core Temperature	250 max. °C

^a See *Dimensional Outline* for temperature measurement points.

^b Keep all stippled regions clear. Do not allow contacts or circuit components to protrude into these annular volumes.

Detailed performance and application information is available through your RCA Sales Office, Distributor, or write to RCA Commercial Engineering, Harrison, NJ 07029.

DIMENSIONAL OUTLINE



SEE FOOTNOTE (b)

CERAMIC

- TEMPERATURE MEASUREMENT POINT

92LM-2327V

DI-MEN-SION	INCHES	MILLIMETERS	DI-MEN-SION	INCHES	MILLIMETERS
A	2.270 Max.	57.66 Max.	P Dia.	0.480 Min.	12.19 Min.
B Dia.	1.625 ± .015 Max.	41.28 ± .38 Max.	R Dia.	0.260 Max.	6.60 Max.
C	1.840 ± .032	46.74 ± .81	S Dia.	1.085 Min.	27.56 Min.
D	1.030 ± .030	26.16 ± .76	T Dia.	0.985 Min.	25.02 Min.
E	0.750 ± .015	19.05 ± .38	U Dia.	0.735 Min.	18.67 Min.
F	0.030 Min.	0.76 Min.	V	0.060 Min.	1.52 Min.
G	0.165 Min.	4.19 Min.	W	0.090 Min.	2.29 Min.
H	0.120 Min.	3.05 Min.	X	0.025 ± .025	0.64 ± .64
J	0.140 Min.	3.56 Min.	Y	0.175 ± .015	4.45 ± .38
K	0.600 Min.	15.24 Min.	Z	0.100 Min.	2.54 Min.
M	0.370 ± .020	9.40 ± .51	AA	0.054 Min.	1.37 Min.
N	0.095 Min.	2.14 Min.	AB Dia.	0.85 Max.	21.6 Max.